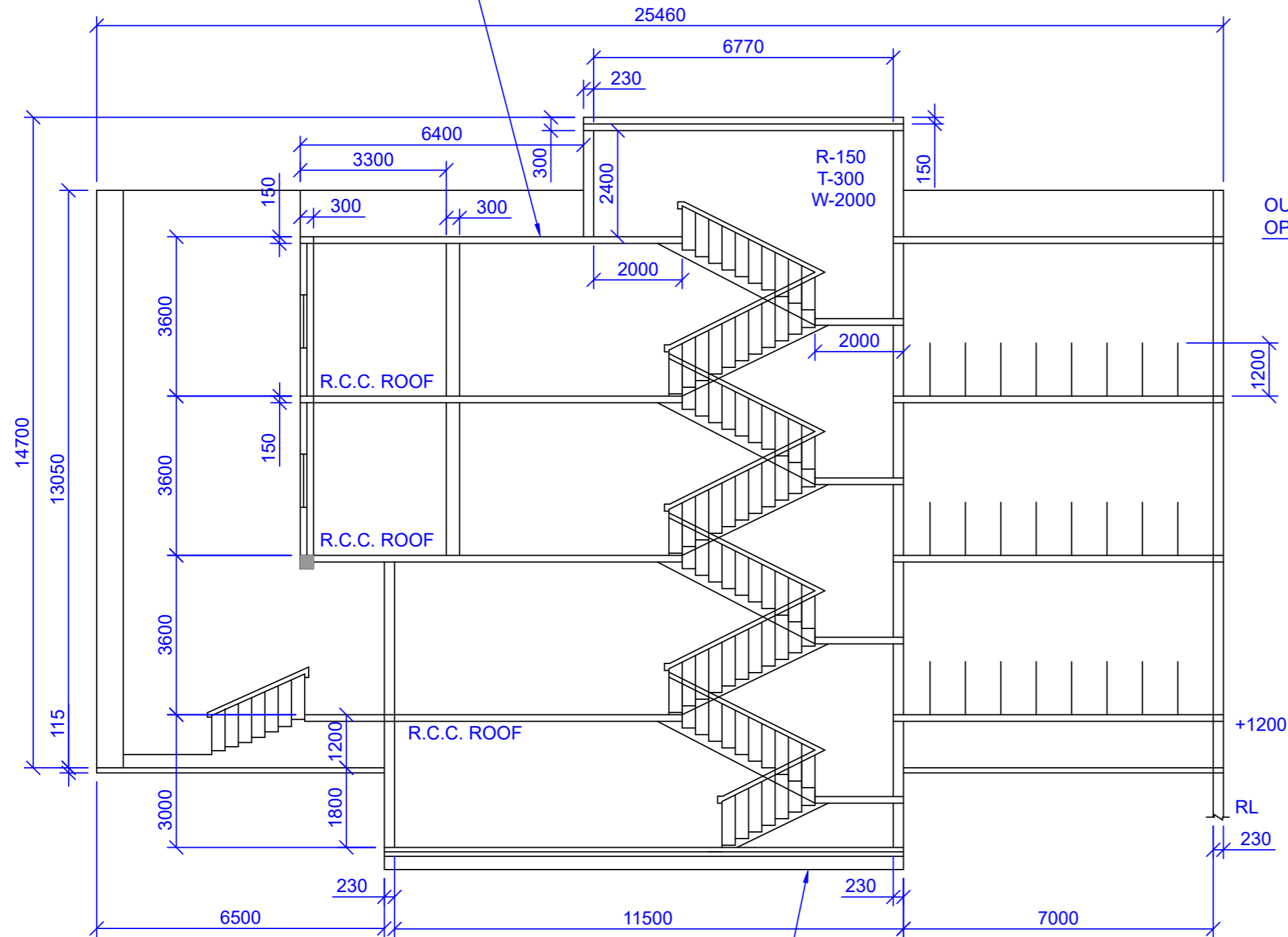
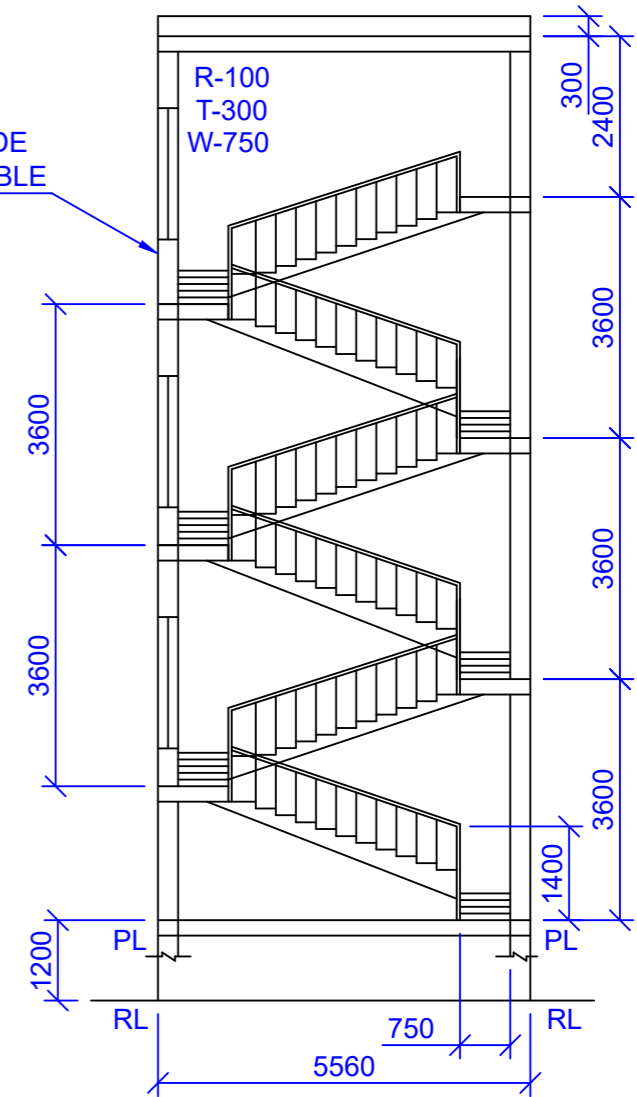


R.C.C. ROOFING WITH  
ROOF TREATMENT AS PER  
DESIGN BY ENGR. I/C



OUT SIDE  
OPENABLE



FIRE ESCAPE STAIRCASE

R.C.C. FLOORING ON R.C.C. BED  
AS PER DESIGN OF FOUNDATION  
AND SLAB BY ENGR. I/C

STAIRCASE DRAWING FOR CIVIL ENGINEERS

CADPLUS SOFTWARE SOLUTIONS  
C-345 LOHIA NAGAR GHAZIABAD